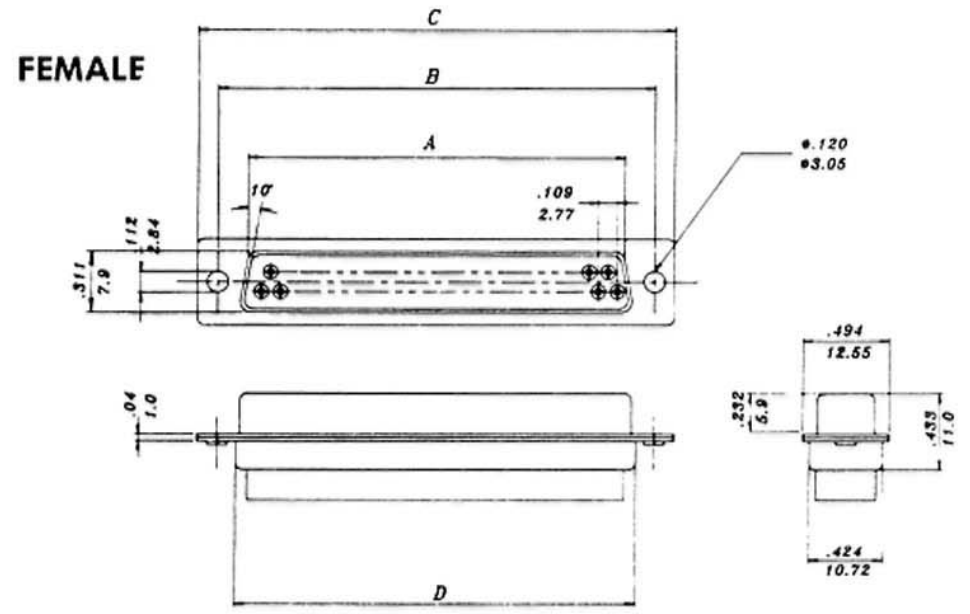
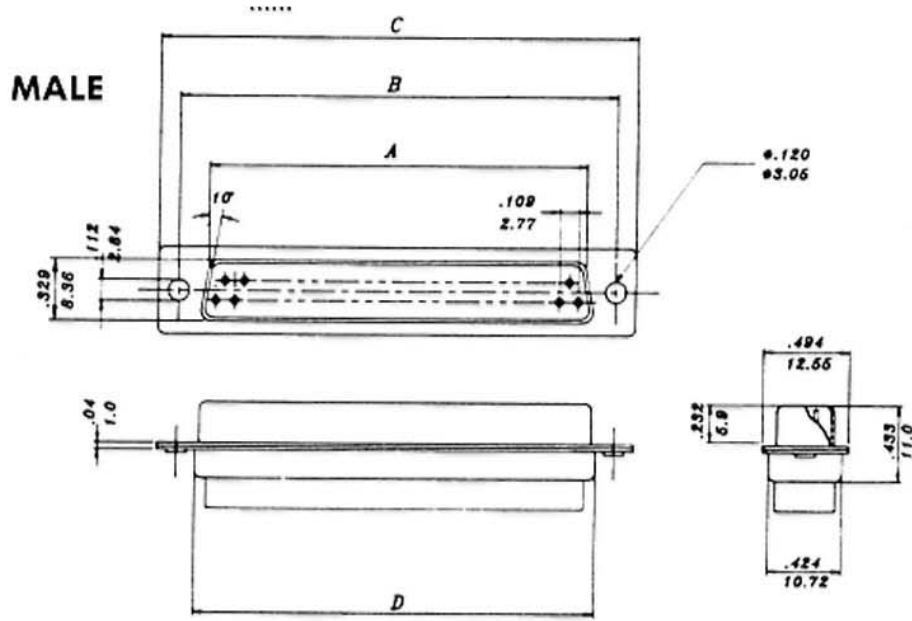


DIMENSION : $\frac{\text{inch}}{\text{mm}}$

D-SUB CRIMP TYPE



Dimension	A	B	C	D
DB 1466M-9	.666 16.92	.984 24.99	1.215 30.81	.759 19.28
DB 1466M-15	.994 25.256	1.312 33.32	1.541 39.14	1.083 27.51
DB 1466M-25	1.534 38.96	1.852 47.04	2.088 53.04	1.625 41.30

Dimension	A	B	C	D
DB 1466F-9	.643 16.33	.984 24.99	1.213 30.81	.759 19.28
DB 1466F-15	.971 24.66	1.312 33.32	1.541 39.14	1.083 27.51
DB 1466F-25	1.511 38.38	1.852 47.04	2.088 53.04	1.625 41.30

MATERIAL

Insulator: PBT + 30% Glass Fiber (UL94V-0)
 Contact: Phosphor Bronze or Brass
 Contact Plated: Gold Over Nickel
 Shell: Steel
 Zinc Plated or Tin Plated

SPECIFICATION

Contact Rating: 5 Amp.
 Dielectric Strength: 1000V for one minute
 Insulation Resistance: 1000MΩ Min. at 500V DC
 Temperature: -55°C to +105°C

DRAWN BY	DESIGNED BY	UNIT	SCALE	TOLERANCE
		mm		±0.25
CHECKED BY	APPROVED BY	DATE	VER. NO.	
		06-20-01	A	
OWL ELECTRONICS LIMITED				PART NO.
				DB 1466