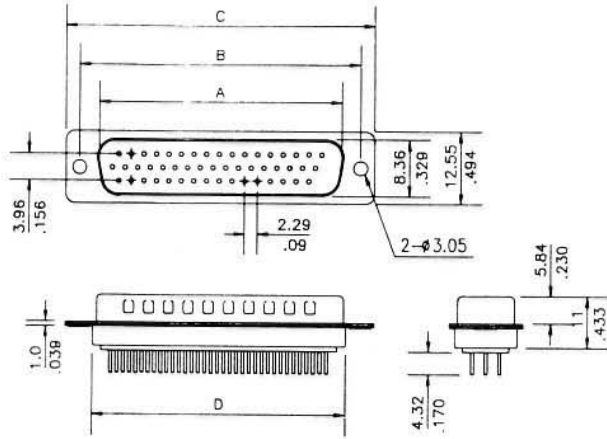
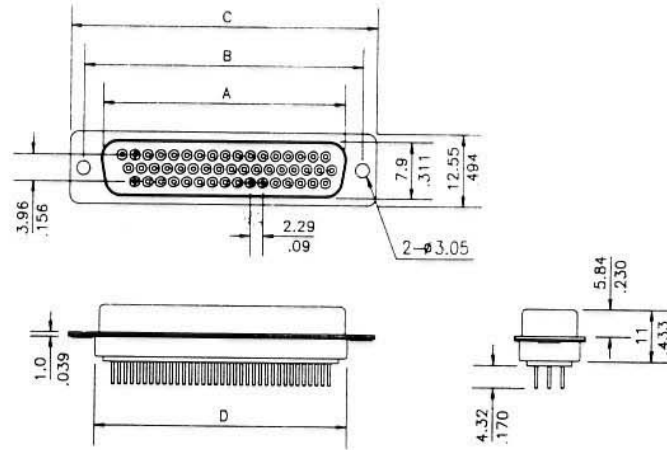


DIMENSION :  $\frac{\text{inch}}{\text{mm}}$

**MALE**



**FEMALE**



**MATERIAL**

- Insulator: PBT+30% glass fiber (UL 94V-0)
- Contact: phosphor bronze or brass
- Contact plated: gold over nickel
- Shell: steel, zinc plated or tin plated

**SPECIFICATION**

- Contact current rating: 2 Amp.
- Insulation resistance: 5000M  $\Omega$  Min. at 500V DC
- Dielectric withstanding voltage: 1000V AC for one minute
- Operating temperature: -55°C to +105°C

DIMENSION	A	B	C	D
DB 1844M-15	16.92 .666	24.99 .970	30.80 1.21	19.28 .759
DB 1844M-26	25.25 .994	33.32 1.31	39.14 1.54	27.51 1.08

DIMENSION	A	B	C	D
DB 1844F-15	16.33 .642	24.99 .970	30.81 1.21	19.28 .759
DB 1844F-26	24.66 .970	33.32 1.31	39.14 1.54	27.51 1.08

**D-SUB HIGH DENSITY (HD) STRAIGHT TYPE**

DRAWN BY	DESIGNED BY	UNIT	SCALE	TOLERANCE
		mm		±0.25
CHECKED BY	APPROVED BY	DATE	VER. NO.	
		06-20-01	A	
OWL ELECTRONICS LIMITED				PART NO.
				DB 1844