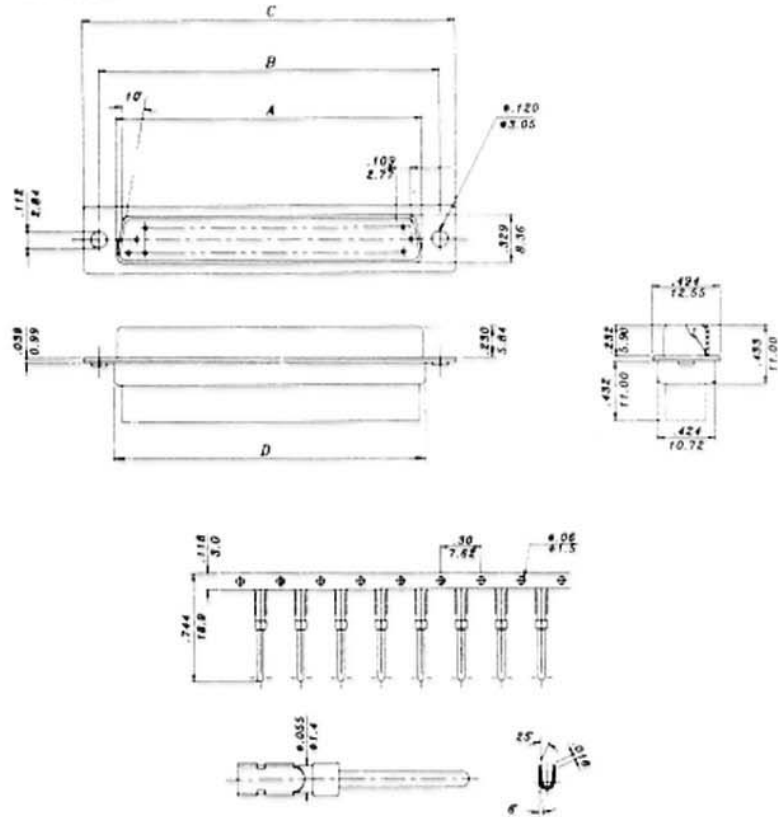


# D-SUB HIGH DENSITY (HD) CRIMP TYPE

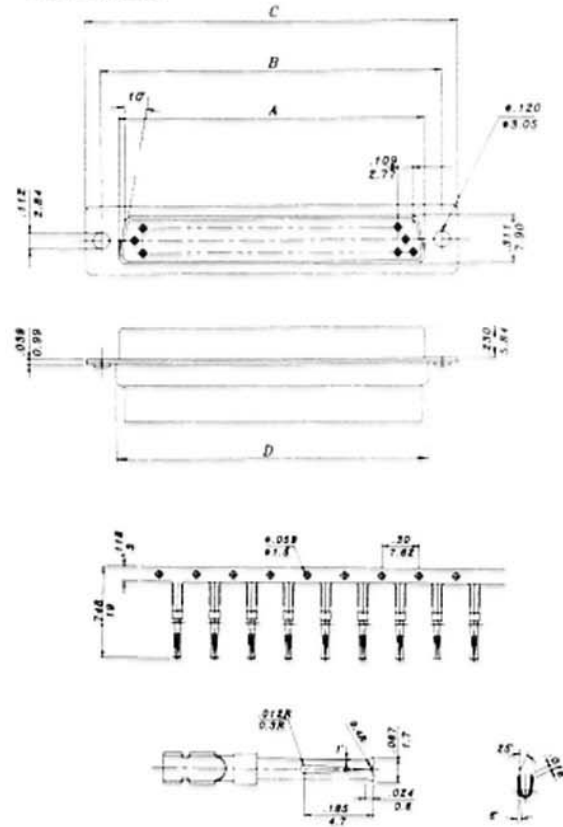
DIMENSION :  $\frac{\text{inch}}{\text{mm}}$

## MALE



DIMENSION	A	B	C	D
DB 1955M-15	0.666 16.92	.984 24.99	1.215 30.81	.759 19.28
DB 1955M-26	0.994 25.25	1.312 33.32	1.541 39.14	1.083 27.51

## FEMALE

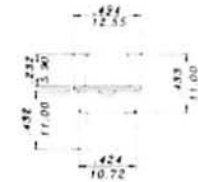


## MATERIAL

Insulator: PBT+30% Glass Fiber (UL94V-0)  
 Contact: Phosphor Bronze or Brass  
 Contact Plated: Gold Over Nickel  
 Shell: Steel  
 Zinc Plated or Tin Plated

## SPECIFICATION

Contact Rating: 5 Amp.  
 Dielectric Strength: 1000V for one minute  
 Insulation Resistance: 1000M $\Omega$  Min. at 500V DC  
 Temperature: -55°C to +105°C



DIMENSION	A	B	C	D
DB 1955F-15	.643 16.33	.984 24.99	1.215 30.81	.759 19.28
DB 1955F-26	.971 24.66	1.312 33.32	1.541 39.14	1.083 27.51

DRAWN BY	DESIGNED BY	UNIT	SCALE	TOLERANCE
		mm		±0.25
CHECKED BY	APPROVED BY	DATE	VER. NO.	
		06-20-01	A	
OWL ELECTRONICS LIMITED				PART NO.
				DB 1955