

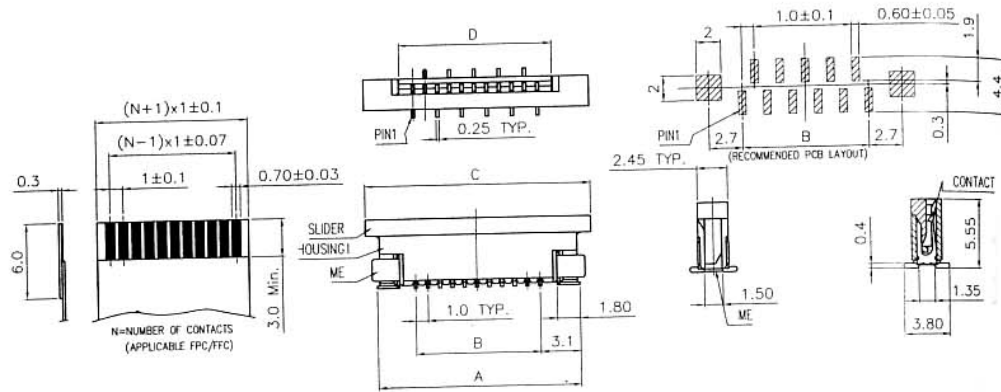
FFC CONNECTOR PITCH=1.0MM ZIF STRAIGHT SINGLE CONTACT (SMT)

SPECIFICATIONS

VOLTAGE RATING: 125V AC/DC
 CURRENT RATING: 1A AC/DC
 WITHSTANDING VOLTAGE: 500V AC/MINUTE
 INSULATION RESISTANCE: 100M OHM MIN
 TEMPERATURE RANGE: -20C TO 85C
 CONTACT RESISTANCE: 20m OHM max

MATERIAL

CONTACT: PHOSPHOR BRONZE, TIN PLATED
 BASE: PPS UL94V-0



Poles	Dimensions (mm)			
	A	B	C	D
4	9.20	3.00	11.00	5.05
5	10.20	4.00	12.00	6.05
6	11.20	5.00	13.00	7.05
7	12.20	6.00	14.00	8.05
8	13.20	7.00	15.00	9.05
9	14.20	8.00	16.00	10.05
10	15.20	9.00	17.00	11.05
11	16.20	10.00	18.00	12.05
12	17.20	11.00	19.00	13.05
13	18.20	12.00	20.00	14.05
14	19.20	13.00	21.00	15.05
15	20.20	14.00	22.00	16.05
16	21.20	15.00	23.00	17.05
17	22.20	16.00	24.00	18.05
18	23.20	17.00	25.00	19.05
19	24.20	18.00	26.00	20.05
20	25.20	19.00	27.00	21.05
21	26.20	20.00	28.00	22.05
22	27.20	21.00	29.00	23.05
23	28.20	22.00	30.00	24.05
24	29.20	23.00	31.00	25.05
25	30.20	24.00	32.00	26.05
26	31.20	25.00	33.00	27.05
27	32.20	26.00	34.00	28.05
28	33.20	27.00	35.00	29.05
29	34.20	28.00	36.00	30.05
30	35.20	29.00	37.00	31.05
31	36.20	30.00	38.00	32.05
32	37.20	31.00	39.00	33.05
33	38.20	32.00	40.00	34.05
34	39.20	33.00	41.00	35.05

DRAWN BY	DESIGNED BY	UNIT	SCALE	TOLERANCE
		mm		+/- 0.2MM
CHECKED BY	APPROVED BY	DATE	VER NO.	
		25 MAR 04		
OWL ELECTRONICS LIMITED				PART NO.
				FF 8067S-