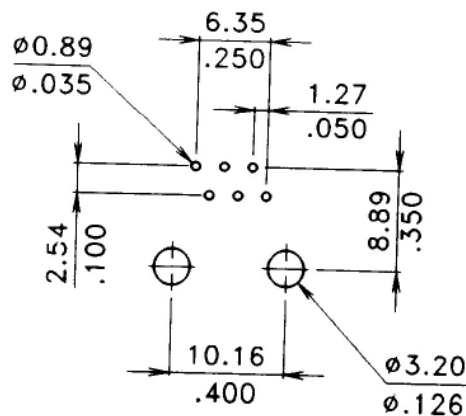


MATERIAL: HOUSING-PBT POLYESTER UL-94V-0
 STANDARD COLOR-BLACK
 TERMINAL-.0138(0.35MM) THICK
 PHOS-BRONZE PLATED WITH
 HARD GOLD AND TIN LEAD
 IN SOLDER AREA.
 FACTORY CONFIRMS TO FCC RULES AND REGULATIONS
 PART 68,SUBPART F.

6 POSITION RIGHT ANGLE TELEPHONE JACK



PC Board Layout

DRAWN BY	DESIGNED BY	UNIT	SCALE	TOLERANCE
		mm		±0.25
CHECKED BY	APPROVED BY	DATE	VER. NO.	
		06-20-01	A	
OWL ELECTRONICS LIMITED				PART NO.
				TE 9166R-06