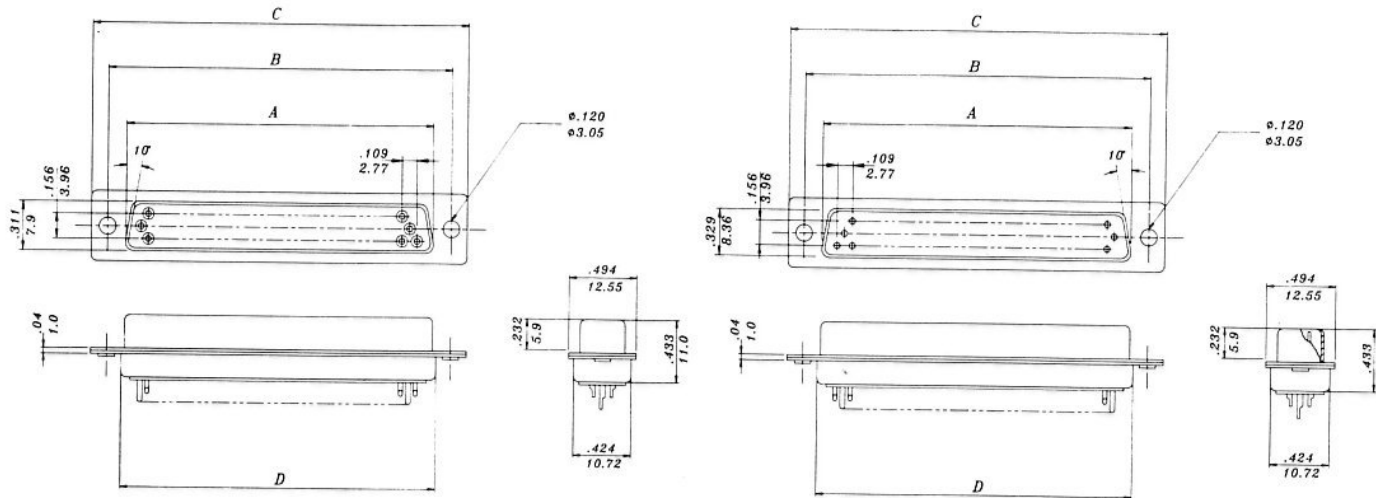


DIMENSION :  $\frac{\text{inch}}{\text{mm}}$



**MATERIAL**

SHELL-STEEL: ZINC PLATED OR TIN PLATED.  
 PIN CONTACT: PHOSPHOR BRONZE  
 GOLD PLATED OVER NICKEL  
 INSULATOR: PBT WITH GLASS FIBER  
 REINFORCED UL 94 VO.

**SPECIFICATION**

CURRENT RATING: 5 Amp  
 DIELECTRIC STRENGTH: 1250V FOR ONE MINUTE.  
 INSULATION RESISTANCE: 5000MΩ Min AT 500V DC  
 CONTACT RESISTANCE: 13MΩ Max  
 TEMPERATURE: -55°C — +105°C  
 INSERTION FORCE PER CONTACT: 0.1KG OF PER CONTACT  
 CONTACT SEPARATION FORCE: 0.1KG OF PER CONTACT  
 CONTACT SEATING FORCE: 3-6KG  
 CONTACT RETENTION: 2-5KG

DIMENSION	A	B	C	D
DB 1711M-15	.643 16.33	.984 24.99	1.215 30.81	.759 19.28
DB 1711M-26	.971 24.66	1.312 33.32	1.541 39.14	1.083 27.51

DIMENSION	A	B	C	D
DB 1711F-15	.666 16.92	.984 24.99	1.213 30.81	.759 19.28
DB 1711F-26	.994 25.25	1.312 33.32	1.541 39.14	1.083 27.51

**D-SUB HIGH DENSITY (HD) SOLDER TYPE**

DRAWN BY	DESIGNED BY	UNIT	SCALE	TOLERANCE
		mm		±0.25
CHECKED BY	APPROVED BY	DATE	VER NO.	
		06-20-01	A	
OWL ELECTRONICS LIMITED				PART NO.
				DB 1711