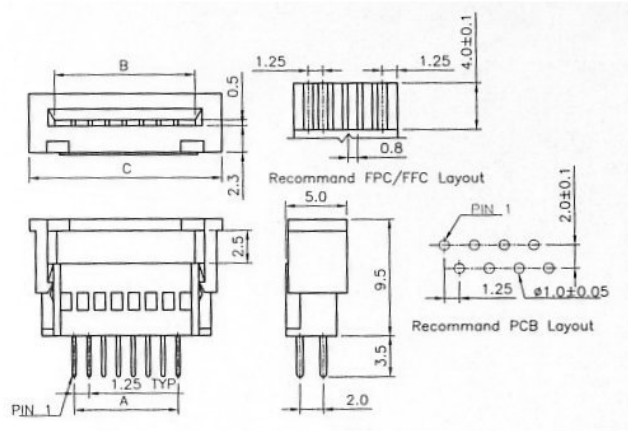


# FFC CONNECTOR PITCH=1.25MM ZIF SINGLE CONTACT

## SPECIFICATIONS

STRAIGHT  
FF 8078S-

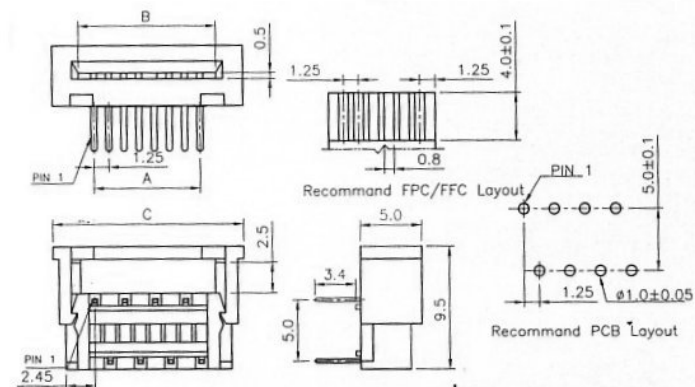


VOLTAGE RATING: 125V AC/DC  
CURRENT RATING: 1A AC/DC  
WITHSTANDING VOLTAGE: 500V AC/MINUTE  
INSULATION RESISTANCE: 100M OHM MIN  
TEMPERATURE RANGE: -20C TO 85C  
CONTACT RESISTANCE: 20m OHM max

## MATERIAL

CONTACT: PHOSPHOR BRONZE, TIN PLATED  
BASE: PPS UL94V-0

RIGHT ANGLE  
FF 8078R-



Poles	Dimensions (mm)		
	A	B	C
3	2.50	5.32	9.45
4	3.75	6.57	10.70
5	5.00	7.82	11.95
6	6.25	9.07	13.20
7	7.50	10.32	14.45
8	8.75	11.57	15.70
9	10.00	12.82	16.95
10	11.25	14.07	18.20
11	12.50	15.32	19.45
12	13.75	16.57	20.70
13	15.00	17.82	21.95
14	16.25	19.07	23.20
15	17.50	20.32	24.45
16	18.75	21.57	25.70
17	20.00	22.82	26.95
18	21.25	24.07	28.20
19	22.50	25.32	29.45
21	25.00	27.82	31.95
22	26.25	29.07	33.20
23	27.50	30.32	34.45
24	28.75	31.57	35.70
25	30.00	32.82	36.95
26	31.25	34.07	38.20
27	32.50	35.32	39.45
28	33.75	36.57	40.70
29	35.00	37.82	41.95
30	36.25	39.07	43.20

DRAWN BY	DESIGNED BY	UNIT	SCALE	TOLERANCE
		mm		+/- 0.2MM
CHECKED BY	APPROVED BY	DATE	VER NO.	
		25 MAR 04		
OWL ELECTRONICS LIMITED				PART NO.
				FF 8078S- FF 8078R-