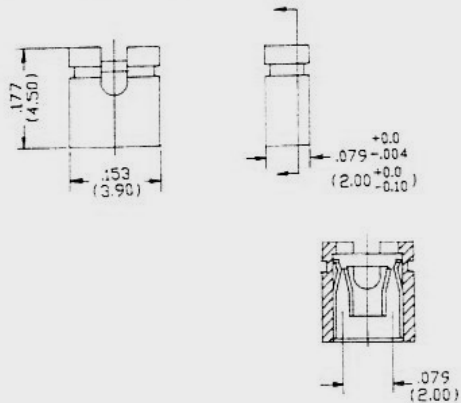
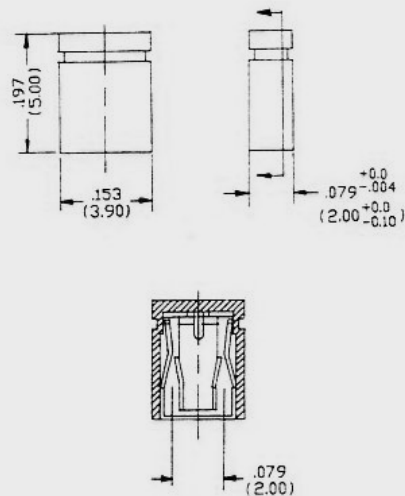


MINI JUMPER PITCH=2.0MM

MINI JUMPER PITCH=2.0MM
OPEN END
MJ 3711O-



MINI JUMPER PITCH=2.0MM
CLOSE END
MJ 3711C-



SPECIFICATIONS

VOLTAGE RATING: 250V AC/DC
CURRENT RATING: 1A AC/DC
WITHSTANDING VOLTAGE: 1000V AC/MINUTE
INSULATION RESISTANCE: 1000M OHM min
TEMPERATURE RANGE: -40C to +105C
CONTACT RESISTANCE: 20m OHM max

MATERIAL

CONTACT: PHOSPHOR BRONZE GOLD PLATED
BASE: PBT UL94V-0

DRAWN BY	DESIGNED BY	UNIT	SCALE	TOLERANCE
		mm		±0.25
CHECKED BY	APPROVED BY	DATE	VER NO.	
		06-20-01	A	
OWL ELECTRONICS LIMITED				PART NO.
				MJ 3711